

# 罐蓋計數集蓋機

## AUTO END COUNTER AND STACKER

S-B10A-6 罐蓋計數集蓋機係針對當今製罐界對自動化需求日益增加所研發而成。採用 PLC 可程式控制，能配合塗膠乾燥機之速度自動將罐蓋計數後收集成疊；不僅能減少直接人工，更可增加產品外觀品質以滿足市場要求。使選配 S-B10A-6 成為製罐界不可或缺之自動化利器。

S-B10A-6 Auto End Counter And Stacker is developed due to the tendency of automatic canmaking process. Equipped with PLC for end counting and stacking.

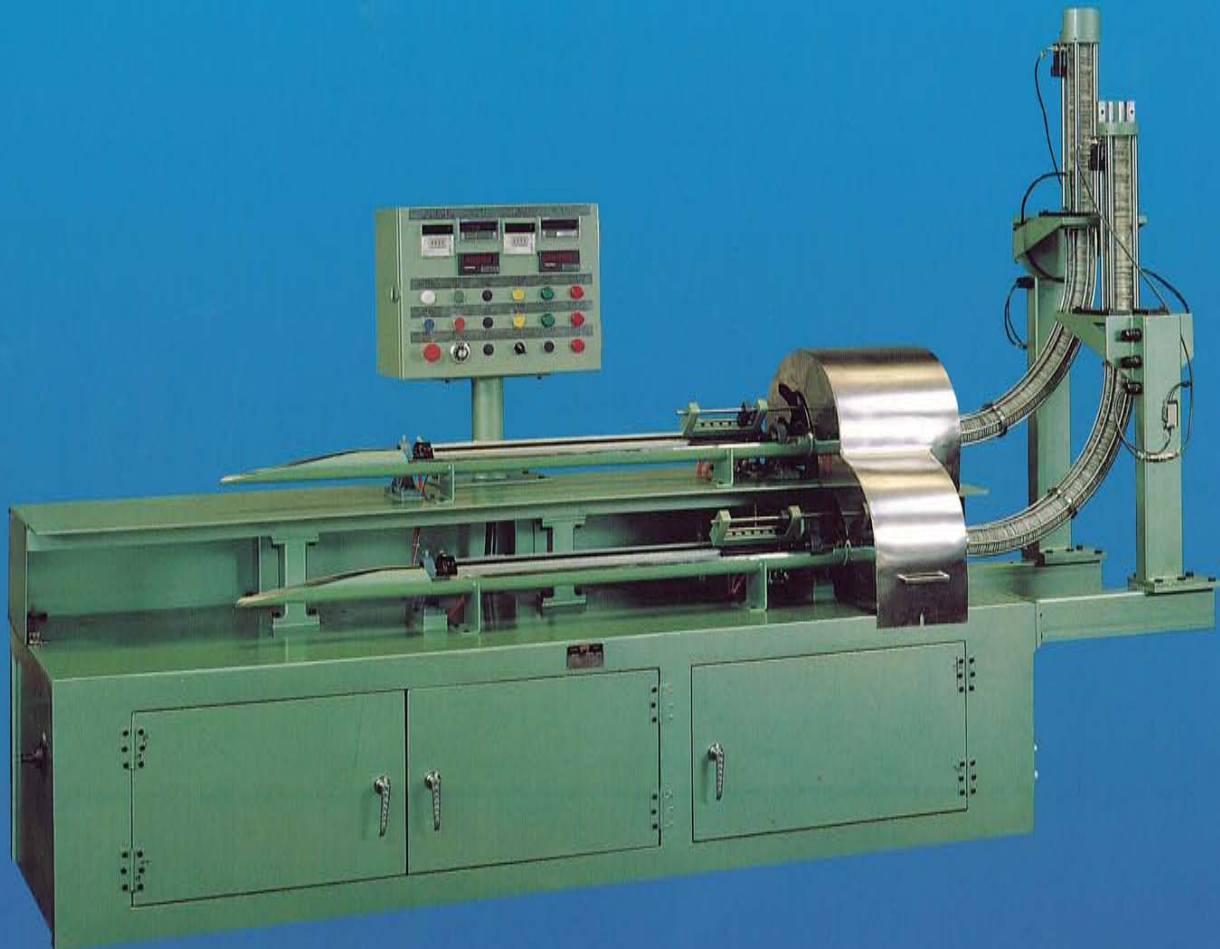
Connect with Auto Liner And Dryer not only save labor cost but also increase products quality to satisfy the stringent demands of market.

# S-B10A-6

Certified by

# ISO-9001

Quality Assurance System



Shin I  
新益

新益機械工廠股份有限公司  
SHIN I MACHINERY WORKS CO., LTD.

# 罐蓋計數集蓋機

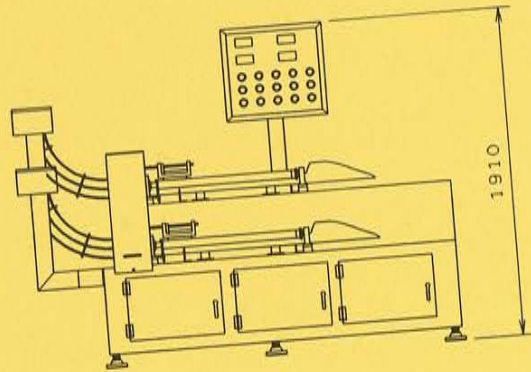
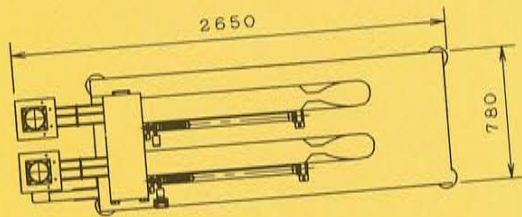
## AUTO END COUNTER AND STACKER

### 特點：

- 裝置雙收蓋器可單獨操作。
- 計數正確、設定與調整快速。
- 多重安全設計能確保人機安全。
- 適用範圍廣，鐵、鋁蓋或噴霧罐蓋均能適用。
- PLC 控制罐蓋堆積、計數，達到設定罐蓋數後，氣壓缸自動撥走。
- 使用變頻器控制，可以配合產量調整速度。

### FEATRUES:

- Mounting with two sets stacking and controller can link to two Liners.
- Precise ends counting, quick for resetting and adjusting.
- Multi safety design for machine and personnel safety.
- Suitable for tinplate or aluminum ends or aerosol ends countig and stacking.
- With PLC control system for ends auto stacking and counting operation.
- Equipped with Inverter for variable speed control.



### 規格 (Specifications) :

機 型	MACHINE TYPE	S-B10A-6
適 用 蓋 徑	Range of end dia.	115~404D
每 分 鐘 產 能	Capacity per minute	Food End: Up to 700 ends/min. Aerosol Cone or Dome: Up to 300 ends/min
需 要 馬 力	Horse power required	1/4 HP X 2
需 要 壓 縮 空 氣	Comperssed air required	10L/Min.X 3Kg/Cm <sup>2</sup>
淨 重	Net weight (approx.)	700 kgs
安 裝 面 積 高 度	Floor space overall height	2650Lx780Wx1910H mm

\* 規格如有變更，恕不另通知 Subject to change without notice.

新益機械工廠股份有限公司  
SHIN I MACHINERY WORKS CO., LTD.

台灣省台中縣清水鎮清水里中正街43號  
NO.43 CHUNG-CHENG STREET, CHING SHUI, TAICHUNG, TAIWAN.

TEL: 886-(04)2622-4166 FAX: 886-(04)2623-2129

Web address: <http://shinican.com.tw>

E-mail: [shinican@ms15.hinet.net](mailto:shinican@ms15.hinet.net)

TEL: 886-(04)-2623-8181  
FAX: 886-(04)-2623-2129

經銷商：  
AGENT: