

自動不規則罐真空封罐機

Automatic Irregular Can Vacuum Seamer

本機是配備特殊構造之四捲輪式捲封頭之不規則罐用自動真空封罐機，具備送蓋機構、罐身輸送機構，並設置無進罐不送蓋裝置，每分鐘可捲封 40 罐堪稱為能力頗高之自動操作真空封罐機。

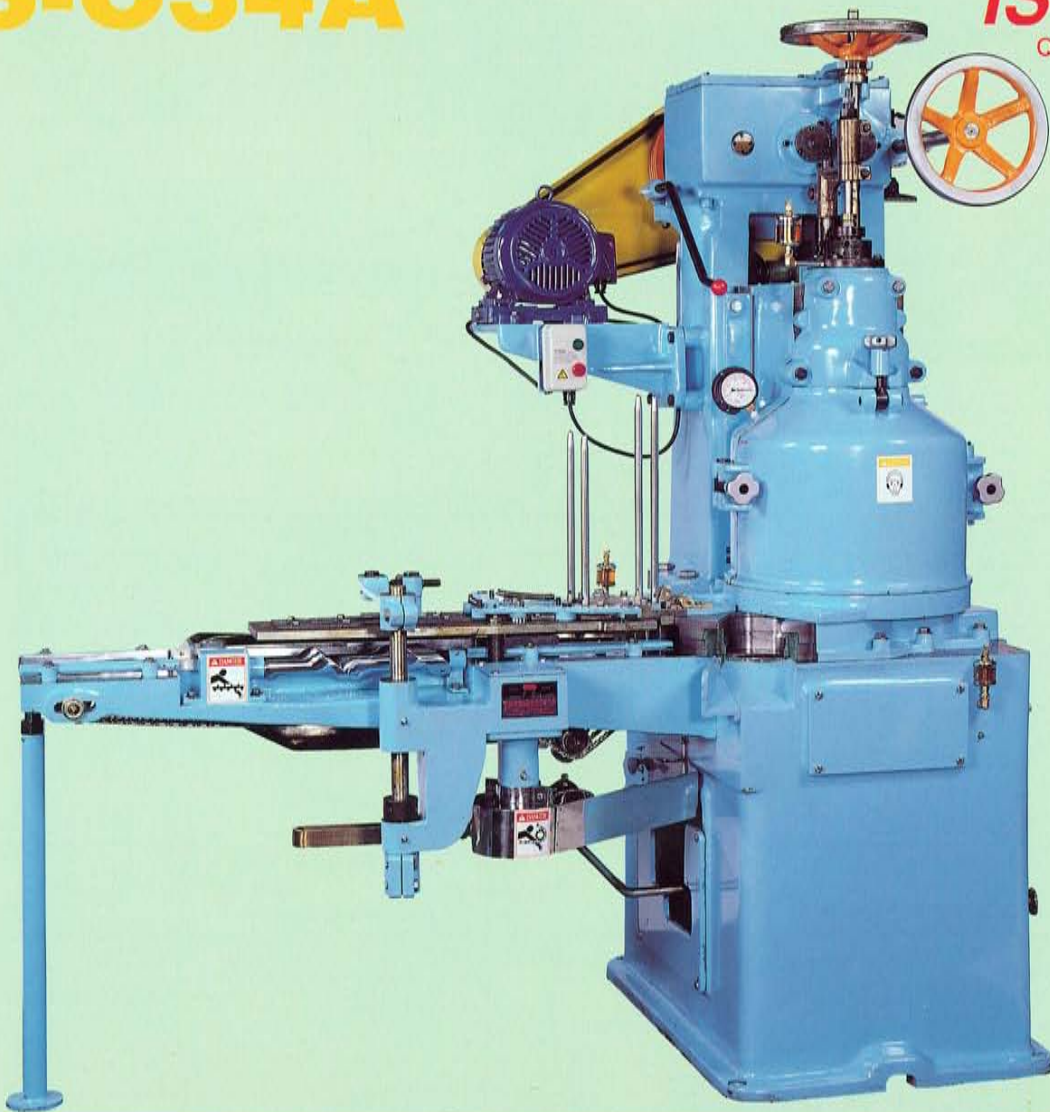
This machine is specialized for vacuum closing irregular cans which are rectangular square, of oval in shape. With newly designed seaming head, it can close cans up to 40 cans per minute. No can no cover system is adopted to make sure efficiently and smoothly running.

S-C34A

Certified by

ISO-9001

Quality Assurance System



Shin-I
新益

新益機械工廠股份有限公司
SHIN-I MACHINERY WORKS CO., LTD.

自動不規則罐真空封罐機

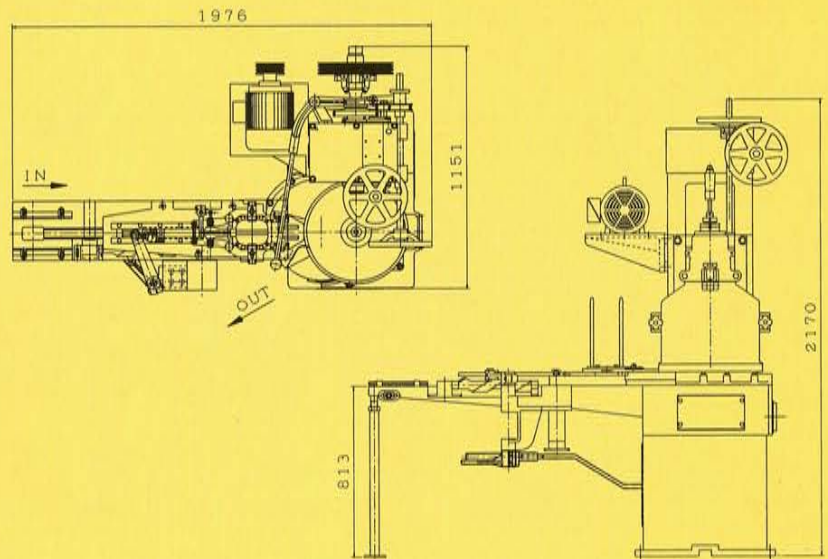
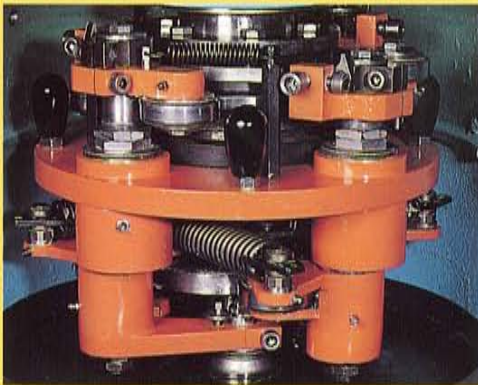
Automatic Irregular Can Vacuum Seamer

特點：

- 送蓋機構和罐身輸送機構同向配置，操作方便。
- 捲封滾輪用獨立凸輪控制進退，捲封均勻容易調整。
- 捲封頭結構精巧輕便，操作容易檢修迅速。
- 無罐無蓋機構。

FEATURES:

- Seaming Rolls movement is cam operated respectively, hence makes seam even & perfect.
- Easy accessibility for maintenance.
- Simple mechanism and easy to operate.
- Wild range for different can sizes & shapes.
- No can no cover device.



規格 (Specifications):

機 型	MACHINE TYPE	S-C34A
適用 罐 身	Range of can demension	45~170 mm length, width
適用 罐 高	Range of can height	18~100 mm
最大 罐 對角線	Maximun can diagonal	Up to 150 mm
真空 轉盤 孔數	No. of pocket on vacuum turret	6
每 分 鐘 產 能	Capacity per min	Up to 40 cpm, depending on can shape, size
需 要 馬 力	Horse power required	
主 馬 達	Main motor	3 HP
真 空 泵 馬 達	Vacuum pump	5 HP
安 裝 面 積 及 高 度	Floor space overall height	1976L x 1151W x 2170H mm
淨 重	Net weight (approx)	1800 kgs

※規格如有變更，恕不另通知 Subject to change without notice.

新益機械工廠股份有限公司
SHIN-I MACHINERY WORKS CO., LTD.

台灣省台中縣清水鎮清水里中正街43號
NO.43 CHUNG-CHENG STREET, CHING SHUI, TAICHUNG, TAIWAN.
TEL:886-(04)2623-8181 FAX:886-(04)2623-2129

Web address: <http://shinican.com>

E-mail: shinican@ms15.hinet.net

經銷商：
AGENT：